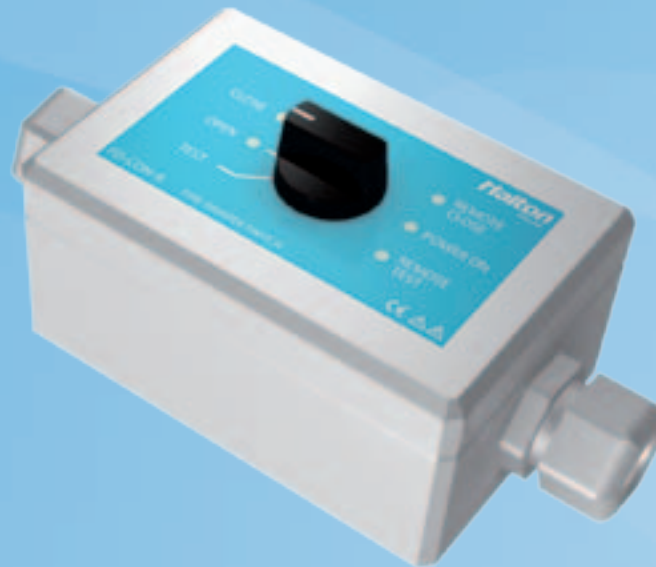


## FD-CON-R

### Remote Fire Damper Control Unit

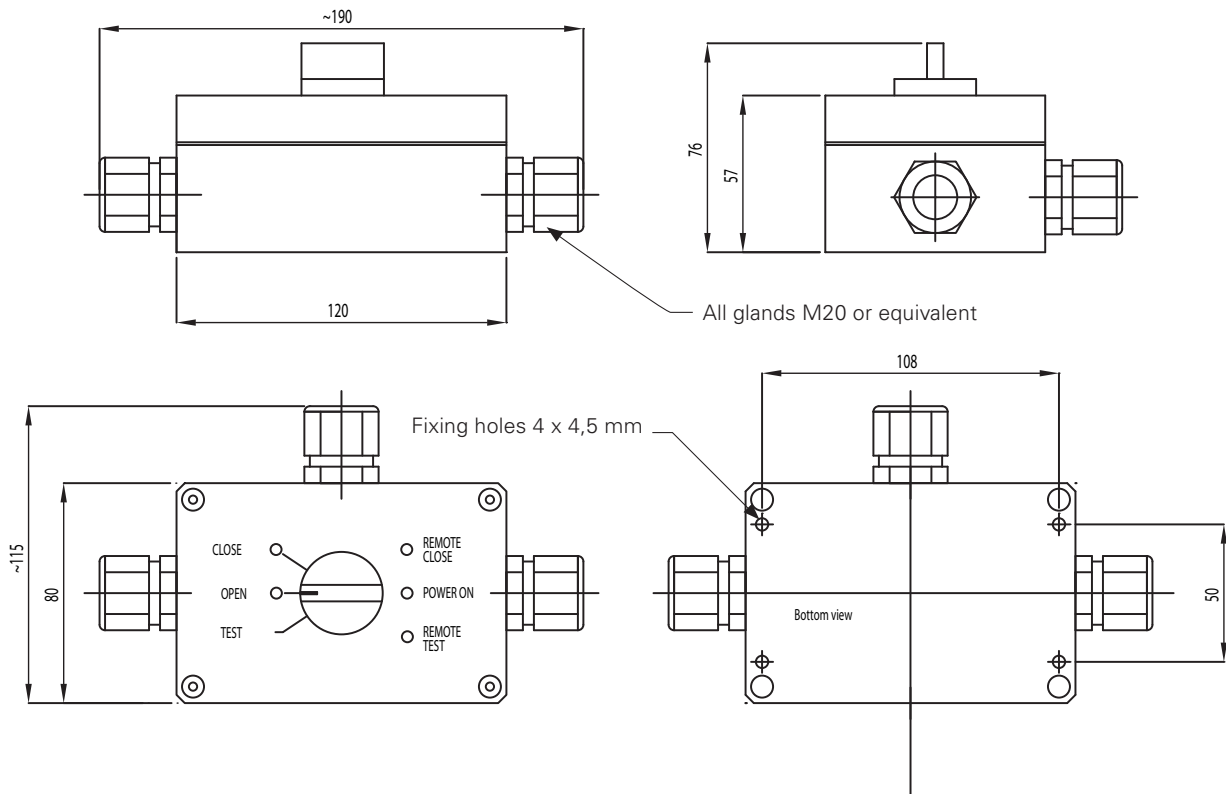


The FD-CON-R advanced fire damper switch is a control unit for Halton fire dampers with remote control and monitoring functions. The control unit is installed near the damper in a place where personnel has easy and logical access to it. Two FD-CON-R units can be connected in series. This allows the damper to be locally controlled from both sides of the bulkhead or deck as per SOLAS regulation.

The FD-CON-R is mainly intended for electrically operated dampers, but it can also be used for pneumatic dampers. In this case the FD-CON-R unit controls the solenoid valve that controls the supply air to the damper actuator.

- Single or multiple controllers per damper with Master/Slave configuration
- LED light indication for damper OPEN / CLOSED positions
- LED light indication for REMOTE CLOSE, POWER ON and REMOTE TEST functions
- LED test functionality
- Remote monitoring of DAMPER OPEN, DAMPER CLOSED, POWER ON status
- Remote control for DAMPER CLOSE and LED TEST
- Possibility to control multiple damper switches remotely at the same time
- Configuration-free operation voltage selection
- Acceptable operating voltage range: 18 - 28 VDC / 18 - 253 VAC 50/60Hz
- Simple wiring with numbered screw terminals
- IP67 ABS box with M20 or equivalent cable glands
- Easy jumper-based configuration for master/slave setting
- Preconfigured per client specification on delivery
- CE certified product

## DIMENSIONS



## CONTROLLER SETUP, ELECTRICAL DAMPERS

